

FREIGHT, REPAIR AND RUSH ORDER SURCHARGES

STANDARD SHIPPING & HANDLING, DELIVERY & FREIGHT POLICIES:

- \$3.50 per piece for cellular shades
- \$9.50 minimum charge per shipment
- Oversize (94" or above) \$75.00 up to 3 pieces
- For express shipment, shipment to Alaska, Hawaii and foreign countries, freight will be quoted separately.
- Freight collect and using preferred carrier is optional.
- Next Day, 2nd Day Air and 3 Day select shipping options are available- actual freight will be applied.

FREIGHT DAMAGE AND SHORTAGES:

Please inspect all shipments immediately and carefully. Please report damages and shortages on the delivery receipt and notify HT customer service within 48 hours. No freight damage claim will be accepted after 30 days from shipping.

REPAIR CHARGES FOR CELLULAR SHADE	
Shorten height	\$15.00 per shade
Cut down width	\$15.00 per shade
Restrung	\$20.00 per shade
Change control position	\$20.00 per shade
Replace headrail or bottomrail	\$20.00 per shade

* CELLULAR OPTION CHANGES *	
If new shade costs more than original shade	\$35 plus cost difference per shade
If new shade costs less than original shade	\$35 standard per shade

MINIMUM REPAIR CHARGE: \$20

****NOTE:** All repair charges do not include freight. Standard shipping charges will be applied.

RUSH ORDER SURCHARGES:

- Rush orders are subject to inventory availability and production schedule.
- Same day rush must be submitted by 10 a.m. PST to be processed that business day.
- 24 and 48 hour rushes must be submitted by 2:30 p.m. PST to be processed that business day

RUSH OPTION:	SURCHARGE:
Same day production rush	\$40.00 / PC
24 hour rush	\$15.00 / PC
48 hour rush	\$8.00 / PC

Custom Cellular Shades

Manufacturer's suggested retail price

9/16" Single Cell Light Filtering / 3/4" Bamboo Print Fabric

Width Height	Width														
	7" - 24"	30	36	42	48	54	60	66	72	84	96	108	120	132	144
5" - 36"	238	273	312	354	391	438	478	518	562	651	736	820	909	995	1077
42	256	297	341	390	430	481	530	576	622	721	817	911	1008	1106	1198
48	272	319	366	418	463	522	571	625	678	784	890	995	1105	1211	1315
54	298	349	403	457	509	570	626	690	745	861	977	1093	1214	1328	1443
60	322	375	437	494	548	618	678	744	806	932	1058	1185	1310	1438	1564
66	346	404	468	531	593	665	729	800	867	1003	1142	1274	1417	1549	1686
72	367	429	499	568	634	710	783	857	929	1074	1225	1367	1516	1660	1808
78	386	456	527	599	678	754	835	913	992	1146	1303	1457	1616	1773	1927
84	402	477	556	633	713	793	877	960	1040	1202	1372	1534	1707	1870	2037
90	421	501	584	666	749	839	923	1012	1103	1275	1449	1625	1802	1977	2152
96	439	523	609	696	784	877	969	1061	1152	1336	1522	1703	1892	2073	2259
108	478	568	665	760	859	961	1062	1163	1266	1466	1670	1869	2078	2278	2481
120	512	616	723	829	937	1049	1157	1269	1377	1596	1820	2039	2264	2483	2703
132	546	660	774	891	1011	1130	1250	1369	1488	1728	1969	2205	2450	2683	2922
144	583	706	831	957	1085	1215	1342	1470	1599	1858	2115	2372	2635	2886	3145

Note: 2-on-1 and 3-on-1 headrail option is strongly recommended for all blinds measuring 96" or more in width or height.

7/16" Double Cell Light Filtering Fabric

Width Height	Width														
	7" - 24"	30	36	42	48	54	60	66	72	84	96	108	120	132	144
5" - 36"	278	317	365	412	490	504	554	603	650	748	850	943	1041	1136	1228
42	304	350	400	460	503	567	619	678	730	839	953	1061	1174	1279	1389
48	316	373	429	490	541	604	666	726	791	907	1031	1149	1271	1391	1509
54	346	403	464	530	592	659	725	792	857	985	1120	1251	1388	1510	1642
60	378	438	509	573	642	720	789	866	937	1083	1225	1370	1515	1632	1799
66	407	476	549	623	698	782	859	938	1018	1177	1332	1488	1648	1804	1960
72	432	500	581	662	743	830	911	996	1084	1247	1421	1587	1752	1921	2081
78	460	544	630	719	810	900	991	1085	1178	1360	1545	1725	1913	2093	2273
84	484	575	665	762	854	955	1051	1152	1247	1442	1637	1831	2032	2222	2415
90	507	603	703	804	905	1011	1114	1221	1326	1532	1741	1946	2157	2363	2570
96	530	633	734	843	952	1061	1173	1284	1392	1612	1836	2052	2275	2489	2708
108	577	685	802	921	1041	1163	1280	1405	1528	1767	2004	2245	2491	2727	2971
120	631	752	886	1019	1152	1286	1420	1556	1689	1954	2225	2491	2762	3026	3294
132	681	823	966	1113	1259	1407	1558	1702	1852	2148	2445	2738	3037	3319	3618
144	721	876	1032	1188	1346	1507	1663	1822	1987	2302	2613	2929	3252	3562	3877

Note: 2-on-1 and 3-on-1 headrail option is strongly recommended for all blinds measuring 96" or more in width or height.

Custom Cellular Shades

Manufacturer's suggested retail price

9/16" Single Cell Blackout Fabric

Width Height	7"- 24"	30	36	42	48	54	60	66	72	84	96	108	120	132	144
5" - 36"	326	374	425	476	524	584	637	693	750	862	981	1093	1210	1318	1431
42	357	406	464	525	582	650	706	770	834	964	1094	1219	1352	1476	1676
48	384	445	512	582	644	720	787	864	934	1081	1230	1374	1526	1668	1813
54	421	485	558	637	708	788	866	949	1025	1188	1352	1511	1676	1833	1995
60	462	520	602	688	763	853	933	1028	1114	1290	1467	1638	1818	1996	2166
66	489	556	645	735	822	917	1006	1104	1198	1387	1580	1772	1963	2146	2339
72	523	601	700	798	892	997	1095	1203	1302	1512	1725	1931	2141	2347	2554
78	555	636	741	846	952	1061	1167	1283	1388	1611	1836	2058	2285	2501	2726
84	579	668	783	897	1002	1123	1233	1358	1470	1711	1947	2180	2424	2661	2898
90	612	713	834	952	1071	1198	1317	1449	1573	1829	2082	2338	2598	2852	3112
96	635	745	872	1000	1124	1258	1385	1523	1656	1922	2196	2464	2739	3011	3283
108	689	811	954	1098	1239	1386	1525	1679	1825	2121	2422	2719	3024	3324	3626
120	741	882	1038	1193	1385	1510	1666	1834	1993	2317	2644	2977	3309	3639	4058
132	803	957	1131	1305	1515	1653	1828	2007	2184	2540	2902	3261	3632	4108	4680
144	856	1027	1211	1399	1645	1783	1971	2159	2352	2737	3127	3517	3988	4558	5208

Note: 2-on-1 and 3-on-1 headrail option is strongly recommended for all blinds measuring 96" or more in width or height.

9/16" Single Cell Light Filtering Sheer Fabric

Width Height	7"- 24"	30	36	42	48	54	60	66	72	84	96	108	120	132	144
5" - 36"	398	457	522	593	655	733	800	867	941	1090	1232	1373	1522	1666	1803
42	429	497	571	653	720	805	887	964	1041	1207	1368	1525	1687	1851	2005
48	455	534	613	700	775	874	956	1046	1135	1312	1490	1666	1850	2027	2201
54	499	584	675	765	852	954	1048	1155	1247	1441	1635	1830	2032	2223	2416
60	539	628	732	827	917	1035	1135	1245	1349	1560	1771	1984	2193	2407	2618
66	579	676	783	889	993	1113	1220	1339	1451	1679	1912	2133	2372	2593	2822
72	614	718	835	951	1061	1189	1311	1435	1555	1798	2051	2288	2538	2779	3027
78	646	763	882	1003	1135	1262	1398	1528	1661	1918	2181	2439	2705	2968	3226
84	673	798	931	1060	1194	1327	1468	1607	1741	2012	2297	2568	2858	3130	3410
90	705	839	978	1115	1254	1404	1545	1694	1846	2134	2426	2720	3017	3309	3602
96	735	876	1019	1165	1312	1468	1622	1776	1928	2236	2548	2851	3167	3470	3782
108	800	951	1113	1272	1438	1609	1778	1947	2119	2454	2796	3129	3479	3813	4153
120	857	1031	1210	1388	1569	1756	1937	2124	2305	2672	3047	3413	3790	4157	4525
132	914	1105	1296	1492	1692	1892	2093	2292	2491	2893	3296	3691	4101	4491	4891
144	976	1182	1391	1602	1816	2034	2247	2461	2677	3110	3541	3971	4411	4831	5265

Note: 2-on-1 and 3-on-1 headrail option is strongly recommended for all blinds measuring 96" or more in width or height.

Custom Cellular Shades

Manufacturer's suggested retail price

9/16" Single Cell Light Filtering *Crush / Slub Woven* Fabrics

Width Height	7"- 24"	30	36	42	48	54	60	66	72	84	96	108	120	132	144
5" - 36"	437	501	573	651	719	804	878	951	1033	1196	1352	1507	1670	1828	1978
42	471	545	627	717	790	883	973	1058	1142	1324	1501	1673	1851	2031	2200
48	499	586	673	768	850	959	1049	1148	1245	1440	1635	1828	2030	2224	2415
54	548	641	741	839	935	1047	1150	1267	1368	1581	1794	2008	2230	2439	2651
60	591	689	803	907	1006	1136	1245	1366	1480	1712	1943	2177	2406	2641	2873
66	635	742	859	975	1090	1221	1339	1469	1592	1842	2098	2341	2603	2845	3097
72	674	788	916	1044	1164	1305	1439	1575	1706	1973	2251	2511	2785	3049	3322
78	709	837	968	1101	1245	1385	1534	1677	1823	2105	2393	2676	2968	3257	3540
84	738	876	1022	1163	1310	1456	1611	1763	1910	2208	2520	2818	3136	3435	3742
90	774	921	1073	1223	1376	1541	1695	1859	2026	2342	2662	2985	3311	3631	3952
96	807	961	1118	1278	1440	1611	1780	1949	2116	2454	2796	3128	3475	3808	4150
108	878	1044	1221	1396	1578	1766	1951	2136	2325	2693	3068	3433	3818	4184	4557
120	940	1131	1328	1523	1722	1927	2125	2331	2529	2932	3343	3745	4159	4561	4965
132	1003	1213	1422	1637	1857	2076	2297	2515	2733	3174	3617	4050	4500	4928	5367
144	1071	1297	1526	1758	1993	2232	2466	2700	2937	3413	3886	4357	4840	5301	5777

Note: 2-on-1 and 3-on-1 headrail option is strongly recommended for all blinds measuring 96" or more in width or height.

9/16" Single Cell *Light Filtering Linen Print* Fabric

Width Height	7"- 24"	30	36	42	48	54	60	66	72	84	96	108	120	132	144
5" - 36"	209	240	275	312	344	385	421	456	495	573	648	722	800	876	948
42	225	261	300	343	378	423	466	507	547	634	719	802	887	973	1054
48	239	281	322	368	407	459	502	550	597	690	783	876	972	1066	1157
54	262	307	355	402	448	502	551	607	656	758	860	962	1068	1169	1270
60	283	330	385	435	482	544	597	655	709	820	931	1043	1153	1265	1376
66	304	356	412	467	522	585	642	704	763	883	1005	1121	1247	1363	1484
72	323	378	439	500	558	625	689	754	818	945	1078	1203	1334	1461	1591
78	340	401	464	527	597	664	735	803	873	1008	1147	1282	1422	1560	1696
84	354	420	489	557	627	698	772	845	915	1058	1207	1350	1502	1646	1793
90	370	441	514	586	659	738	812	891	971	1122	1275	1430	1586	1740	1894
96	386	460	536	612	690	772	853	934	1014	1176	1339	1499	1665	1824	1988
108	421	500	585	669	756	846	935	1023	1114	1290	1470	1645	1829	2005	2183
120	451	542	636	730	825	923	1018	1117	1212	1404	1602	1794	1992	2185	2379
132	480	581	681	784	890	994	1100	1205	1309	1521	1733	1940	2156	2361	2571
144	513	621	731	842	955	1069	1181	1294	1407	1635	1861	2087	2319	2540	2768

Note: 2-on-1 and 3-on-1 headrail option is strongly recommended for all blinds measuring 96" or more in width or height.

Custom Fire Retardant Cellular Shades

Manufacturer's suggested retail price

9/16" Single Cell Light Filtering Fire Retardant Fabric

Width Height	Width														
	7"- 24"	30	36	42	48	54	60	66	72	84	96	108	120	132	144
5" - 36"	309	355	406	460	508	569	621	673	731	846	957	1066	1182	1294	1400
42	333	386	443	507	559	625	689	749	809	937	1062	1184	1310	1438	1557
48	354	415	476	543	602	679	742	813	881	1019	1157	1294	1437	1574	1710
54	387	454	524	594	662	741	814	897	969	1119	1270	1421	1578	1726	1876
60	419	488	568	642	712	803	881	967	1048	1212	1375	1541	1703	1869	2033
66	450	525	608	690	771	865	948	1040	1127	1304	1485	1656	1842	2014	2192
72	477	558	649	738	824	923	1018	1114	1208	1396	1593	1777	1971	2158	2350
78	502	593	685	779	881	980	1086	1187	1290	1490	1694	1894	2101	2305	2505
84	523	620	723	823	927	1031	1140	1248	1352	1563	1784	1994	2219	2431	2648
90	547	651	759	866	974	1091	1200	1316	1434	1658	1884	2113	2343	2570	2798
96	571	680	792	905	1019	1140	1260	1379	1498	1737	1979	2214	2460	2695	2937
108	621	738	865	988	1117	1249	1381	1512	1646	1906	2171	2430	2701	2961	3225
120	666	801	940	1078	1218	1364	1504	1650	1790	2075	2366	2651	2943	3228	3514
132	710	858	1006	1158	1314	1469	1625	1780	1934	2246	2560	2867	3185	3488	3799
144	758	918	1080	1244	1411	1580	1745	1911	2079	2415	2750	3084	3426	3752	4089

Note: 2-on-1 and 3-on-1 headrail option is strongly recommended for all blinds measuring 96" or more in width or height.

9/16" Single Cell Blackout Fire Retardant Fabric

Width Height	Width														
	7"- 24"	30	36	42	48	54	60	66	72	84	96	108	120	132	144
5" - 36"	424	486	553	619	681	759	828	901	975	1121	1275	1421	1573	1713	1860
42	464	528	603	683	757	845	918	1001	1084	1253	1422	1585	1758	1919	2179
48	499	579	666	757	837	936	1023	1123	1214	1405	1599	1786	1984	2168	2357
54	547	631	725	828	920	1024	1126	1234	1333	1544	1758	1964	2179	2383	2594
60	601	676	783	894	992	1109	1213	1336	1448	1677	1907	2129	2363	2595	2816
66	636	723	839	956	1069	1192	1308	1435	1557	1803	2054	2304	2552	2790	3041
72	680	781	910	1037	1160	1296	1424	1564	1693	1966	2243	2510	2783	3051	3320
78	722	827	963	1100	1238	1379	1517	1668	1804	2094	2387	2675	2971	3251	3544
84	753	868	1018	1166	1303	1460	1603	1765	1911	2224	2531	2834	3151	3459	3767
90	796	927	1084	1238	1392	1557	1712	1884	2045	2378	2707	3039	3377	3708	4046
96	826	969	1134	1300	1461	1635	1801	1980	2153	2499	2855	3203	3561	3914	4268
108	896	1054	1240	1427	1611	1802	1983	2183	2373	2757	3149	3535	3931	4321	4714
120	963	1147	1349	1551	1801	1963	2166	2384	2591	3012	3437	3870	4302	4731	5275
132	1044	1244	1470	1697	1970	2149	2376	2609	2839	3302	3773	4239	4722	5340	6084
144	1113	1335	1574	1819	2139	2318	2562	2807	3058	3558	4065	4572	5184	5925	6770

Note: 2-on-1 and 3-on-1 headrail option is strongly recommended for all blinds measuring 96" or more in width or height.

Custom Smooth Cellular Shades

Manufacturer's suggested retail price

3/4" Single Cell Light Filtering Smooth Fabric

Width Height	7"- 24"	30	36	42	48	54	60	66	72	84	96	108	120	132	144
5" - 36"	209	240	275	312	344	385	421	456	495	573	648	722	800	876	948
42	225	261	300	343	378	423	466	507	547	634	719	802	887	973	1054
48	239	281	322	368	407	459	502	550	597	690	783	876	972	1066	1157
54	262	307	355	402	448	502	551	607	656	758	860	962	1068	1169	1270
60	283	330	385	435	482	544	597	655	709	820	931	1043	1153	1265	1376
66	304	356	412	467	522	585	642	704	763	883	1005	1121	1247	1363	1484
72	323	378	439	500	558	625	689	754	818	945	1078	1203	1334	1461	1591
78	340	401	464	527	597	664	735	803	873	1008	1147	1282	1422	1560	1696
84	354	420	489	557	627	698	772	845	915	1058	1207	1350	1502	1646	1793
90	370	441	514	586	659	738	812	891	971	1122	1275	1430	1586	1740	1894
96	386	460	536	612	690	772	853	934	1014	1176	1339	1499	1665	1824	1988
108	421	500	585	669	756	846	935	1023	1114	1290	1470	1645	1829	2005	2183
120	451	542	636	730	825	923	1018	1117	1212	1404	1602	1794	1992	2185	2379
132	480	581	681	784	890	994	1100	1205	1309	1521	1733	1940	2156	2361	2571
144	513	621	731	842	955	1069	1181	1294	1407	1635	1861	2087	2319	2540	2768

Note: 2-on-1 and 3-on-1 headrail option is strongly recommended for all blinds measuring 96" or more in width or height.

3/4" Single Cell Blackout Smooth Fabric

Width Height	7"- 24"	30	36	42	48	54	60	66	72	84	96	108	120	132	144
5" - 36"	300	344	391	438	482	537	586	638	690	793	903	1006	1113	1213	1317
42	328	374	427	483	535	598	650	708	767	887	1006	1121	1244	1358	1542
48	353	409	471	535	592	662	724	795	859	995	1132	1264	1404	1535	1668
54	387	446	513	586	651	725	797	873	943	1093	1244	1390	1542	1686	1835
60	425	478	554	633	702	785	858	946	1025	1187	1350	1507	1673	1836	1993
66	450	512	593	676	756	844	926	1016	1102	1276	1454	1630	1806	1974	2152
72	481	553	644	734	821	917	1007	1107	1198	1391	1587	1777	1970	2159	2350
78	511	585	682	778	876	976	1074	1180	1277	1482	1689	1893	2102	2301	2508
84	533	615	720	825	922	1033	1134	1249	1352	1574	1791	2006	2230	2448	2666
90	563	656	767	876	985	1102	1212	1333	1447	1683	1915	2151	2390	2624	2863
96	584	685	802	920	1034	1157	1274	1401	1524	1768	2020	2267	2520	2770	3020
108	634	746	878	1010	1140	1275	1403	1545	1679	1951	2228	2501	2782	3058	3336
120	682	811	955	1098	1274	1389	1533	1687	1834	2132	2432	2739	3044	3348	3733
132	739	880	1041	1201	1394	1521	1682	1846	2009	2337	2670	3000	3341	3779	4306
144	788	945	1114	1287	1513	1640	1813	1986	2164	2518	2877	3236	3669	4193	4791

Note: 2-on-1 and 3-on-1 headrail option is strongly recommended for all blinds measuring 96" or more in width or height.

Surcharges

Clutch Cellular Shade Surcharge (Add to regular corded shade pricing)

Width \ Height	18"- 24"	30	36	42	48	54	60	66	72	84	96	108	120
Clutch	96	105	112	118	127	136	139	145	150	160	170	180	195

Regular Cordless Cellular Shade Surcharge (Add to regular corded shade pricing)

Width \ Height	18"- 24"	30	36	42	48	54	60	66	72	84	96
Cordless	210	220	235	257	278	290	305	315	328	360	387

Cordless Plus Cellular Shade Surcharge (Add to regular corded shade pricing)

Width \ Height	21"- 24"	30	36	42	48	54	60	66	72
Cordless	226	237	253	277	299	312	328	339	353

Top Down Bottom Up Cordless Cellular Shade Surcharge (Add to regular corded shade pricing)

Width \ Height	19"- 24"	30	36	42	48	54	60	66	72	84	96
Cordless	332	349	372	406	439	458	485	502	524	561	709

Size Standards:

	<u>Corded</u>	<u>Cordless</u>	<u>Corded TDBU</u>	<u>Cordless TDBU</u>	<u>Clutch</u>	<u>Cordless Plus</u>	<u>Skylight</u>	<u>Simple Touch® Wand</u>
Minimum Width	7"	18"	12"	19"	12"	21"	16"	28"
Minimum Height	10"	10"	10"	10"	10"	10"	10"	10"
Maximum Width	144"	96"	72"	96"	120"	72"	60"	96" ~ 118"
Maximum Height	144"	84"	72"	84"	120"	72"	60"	118"

Standard Features:

- 1/4" deduction will be taken for inside mount
- Aluminum headrail and bottom rail
- Right cord control
- Cord cleat is included for corded shades

Day/Night Shade Features:

- Made with our standard aluminum headrail and bottom rail
- Top rail will match top fabric; middle and bottom rail will match bottom fabric
- Standard fabric arrangement - light filtering on top, blackout on the bottom
- Standard controls: right cord operates the bottom rail; left operates the middle rail. Reverse controls are also available.

Skylight Shade Features:

- Skylight can only be mounted inside
- Finished size **must** be provided
- Color coordinated headrails, middle rails, bottom rails and fabrics
- Headrail including end cap is 5/8" less than finished size
- Side rails are available in the color *white (001) only*
- Skylight poles are available in 2 options (ordered separately):
 - 3ft-5ft: \$14 each
 - 5ft-9ft: \$20 each

- No deductions will be taken by manufacturer

Surcharge Options (net charge):

Top down corded (72" maximum width and drop)	\$15.00 per shade
Top/Down Bottom/Up corded (72" maximum width and drop)	\$15.00 per shade (fabric insert included)
Skylight	\$25 plus cost of corded shade
Day/Night Shade- two colors with top & bottom	Charged as a combination of two shade prices
Tile cut out (no warranty for cut out)	\$10.00 per side
2-on-1 & 3-on-1 head rail	Shades are priced individually

*Note: - 3-on-1 head rail is not available for clutch

- Top/Down Bottom/Up is not available with clutch control

Simple Touch® Wand Cellular Shades

Simple Touch® wand cordless shade is operated by AA batteries. The motor can support a shade up to 9 lbs. This unique cordless, battery powered shade has a control on a wand handle. Consumers do not need to worry about the whereabouts of the remote control. Simple Touch® cellular shades uses our heavy duty headrail and finest cellular shade fabrics. We offer a variety of options for the consumers' convenience. The shade has the standard setup of upper limit, lower limit and your favorite position.

NET SURCHARGE FOR Simple Touch® WAND SYSTEM (NET SURCHARGE IS ADDED TO CORDED PRICE): \$50

OPTIONAL HARDWARE (NET SURCHARGE FOR OPTIONAL HARDWARE):	
Power adaptor (with 70" cord)	\$11.41
8 Alkaline AA batteries	\$5
8 Lithium AA batteries	\$25
Power extension cord (118")	\$5

SIZE LIMITATION:	
Minimum width: 28"	Minimum height: 12"
Maximum width for single cell light filtering : 118"	Maximum height: 118"
Maximum width for single cell blackout : 118"	Maximum height: 118"
Maximum width for double cell light filtering : 96"	Maximum height: 118"
Maximum weight: 9lbs	

No Remote Control Needed

WAND:

- Standard: half of the drop of the shade
- Wand is clear with white cord in the middle
- Minimum wand length: 12" Maximum wand length: 60"

*NOTE: Standard wand control is on the right side, unless specified.

POWER OPTIONS:

- Complementary 8 AA Alkaline batteries are included. Lithium batteries are recommended for durability.
- Power adaptor - 70" cord including cord length inside the headrail.
- Replacing the batteries does not affect current shade set up.

*NOTE: Battery life expectancy is estimated around 1 year for Alkaline battery (depending on frequency of operation and material weight). For example, a 72"x72" single cell light filtering shade can go on 500 operation cycles. Lithium batteries last longer than Alkaline batteries.

BATTERY REPLACEMENT:

When Alkaline batteries are running low, shade will start to operate at a slower rate; indicating a replacement of new batteries are needed.

BATTERY BOX LOCATION:

- Standard: inside the headrail without battery box cover
- Outside the headrail: Battery box can be installed outside the headrail.
- Battery box cover is needed when battery box is moved outside the headrail. Cover is included in the hardware bag

*NOTE: Battery box cover is only used when battery box is moved to outside the headrail. Cord can go through between the headrail and window frame. Extension cord (optional) is available if needed. Extension cord is ordered separately.

COLOR COORDINATION:

- Simple Touch® wand cellular shade follows our standard color coordination chart
- Color coordinated headrail, bottomrail, end caps and handle

UPPER LIMIT, LOWER LIMIT AND FAVORITE POSITION:

Simple Touch® Wand cellular shade is preset with upper position at 0", lower position at ordered drop, favorite position at approximate middle point.

To reset the 3 positions, follow the instruction sheet on how to set up upper limit, lower limit and favorite location.

INSTALLATION:

Simple Touch® cellular shade is installed with heavy duty brackets. Installation instruction and programming guide is included in the hardware bag.

WARRANTY:

Standard HT warranty on cellular shade - 3 years for Simple Touch® Wand

Simple Touch® Remote Cellular Shades

Simple Touch® Remote control motorized shade is operated by 8 AA Lithium batteries. It has option of one channel remote and/or five channel remote. The motor can support a shade up to 15 lbs. This motorized shade comes with 8 AA lithium battery. It is economical option to meet your budget. This system also comes with option of top down bottom up. Simple Touch® remote cellular shades uses our heavy duty headrail and finest cellular shade. We offer a variety of options for the consumers' convenience. The shade has the standard setup of upper limit, lower limit and your favorite position.

NET SURCHARGE FOR Simple Touch® REMOTE SYSTEM (NET SURCHARGE IS ADDED TO CORDED PRICE): \$90

ADD A TOP DOWN BOTTOM UP OPTION FOR MOTORIZED SHADE FOR \$15 (NET)

REMOTE CONTROL NET CHARGE:

Single channel remote	\$25
5 channel remote	\$29

OPTIONAL HARDWARE (NET SURCHARGE FOR OPTIONAL HARDWARE):

Power adaptor (with 70" cord)	\$11.41
8 Lithium AA batteries	\$25
Power extension cord (118")	\$5

SIZE LIMITATION: Maximum weight is 15 lbs
For both regular and top down bottom up motorized:

Minimum width for drop below 78":	33"	Minimum drop:	12"
Minimum width for drop over 78":	36"	Maximum drop for single cell	96 sq ft
Maximum width:	118"	Maximum drop for double cell	75 sq ft

POWER OPTIONS:

- Standard: 8 AA Lithium batteries are included.
- Power adaptor (optional, order separately) - 70" cord including cord length inside the headrail.
- Replacing the batteries does not affect current shade set up.

BATTERY BOX LOCATION:

- Standard: inside the headrail without battery box cover
- Outside the headrail: Battery box can be installed outside the headrail.
- Battery box cover is needed when battery box is moved outside the headrail. Cover is included in the hardware bag

*NOTE: Battery box cover is only used when battery box is moved to outside the headrail. Cord can go through between the headrail and window frame. Extension cord (optional) is available if needed. Extension cord is ordered separately.

TOP DOWN BOTTOM UP OPERATION:

Simple Touch® Remote system is available for top down bottom up option. For bottom rail to go up and down, middle rail must move to the bottom first. For middle rail to go up and down, bottom rail must stay at the bottom.

COLOR COORDINATION:

- Simple Touch® cellular shade follows our standard color coordination chart
- Color coordinated fabric, headrail, bottomrail, and end caps.

FABRIC OPTIONS:

Simple Touch® system is available for all HT cellular shade fabrics:

- Single cell light filtering
- Double cell light filtering
- Single cell blackout
- Specialty fabrics: sheer, crush, fire retardant and slub woven

UPPER LIMIT, LOWER LIMIT AND FAVORITE POSITION:

Simple Touch® Remote cellular shade is preset with upper position at very top, lower position at ordered drop, favorite position at middle point. To reset the 3 positions, follow the instruction sheet on how to set up upper limit, lower limit and favorite location.

INSTALLATION:

Simple Touch® cellular shade is installed with heavy duty brackets. Installation instruction and programming guide is included in the hardware bag.

WARRANTY:

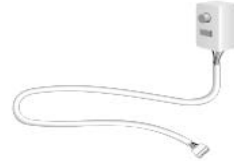
Standard HT warranty on cellular shade - 3 years for Simple Touch® Remote

Custom Cellular Shades Somfy Motorized Lift System

HT's motorized cellular shades uses our heavy duty clutch shade headrail and is motorized with the Radio Technology Somfy (RTS) system. It is operated by a battery powered motor. The motor can support a shade up to 13lbs. Battery life expectancy is 1 to 3 years (depending on frequency of operation and material weight). Remote control is supported by radio frequency control. It can be controlled as an individual unit, as a sub group or as an entire group; depending on your choice of remote control.

Net surcharge (Net surcharge is added onto corded shade price):	
Motorization	\$195
Radio frequency transmitter: 1 channel	\$52
Radio frequency transmitter: 5 channel	\$68

Replacement hardware (Net surcharge for additional hardware):	
Reloadable battery tube	\$25
8 AA batteries	\$25
CT-32 programming tool	\$12
48" battery extension cable	\$7
96" battery extension cable	\$9
Wall mount clip	\$5 / set



Dimension Limitation:	
Minimum width: 24"	Maximum width: 94"
Minimum height: 12"	Maximum height: 96"
Maximum weight: 13lbs	

Standard features:

- 1-1/2" color coordinated headrail
- Hand held remote control only (no hard wire)
- Radio frequency control
- Wall mount clips are included.
- Reloadable battery tube and 8 AA Lithium batteries are included



Hand Held Remote Control (2 options):

Option 1: 1 Channel RTS Remote will operate all of the shades simultaneously. All shades must be the same drop.

Option 2: 5 Channel RTS Remote will operate up to five individual shades or five groups of shades.



Color Matching:

To ensure color matching, all cellular shades must be ordered at the same time. This will eliminate possible variations due to the nature of fabric. Product availability is subject to change without notice.

Cellular Shade Specialties

Non-movable arches, Non-movable quarter arches, Non-movable circles

Width									
Height	24	30	36	42	48	54	60	72	84
9/16" Single Cell Light Filtering	236	274	297	352	383	449	489	613	742
9/16" Single Cell Blackout	287	333	362	427	464	545	592	716	845
7/16" Double Cell Light Filtering	268	311	338	399	434	509	553	677	806
3/4" Single Cell Smooth LF	208	241	261	310	337	395	430	539	653
3/4" Single Cell Smooth Blackout	264	306	333	393	427	501	545	659	777
9/16" Single Cell Linen Print	208	241	261	310	337	395	430	539	653
9/16" Single Cell Sheer	344	400	434	512	557	654	710	859	1014
9/16" Single Cell Crush/Slub Woven	386	448	487	574	624	733	796	963	1137

Trapezoid and Octagon Shades 9/16" Single Cell Light Filtering

Width							
Height	24	30	36	42	48	54	60
36	263	296	336	373	413	449	487
42	282	318	363	408	449	493	537
48	301	343	391	440	487	536	581
54	319	366	419	472	525	576	627
60	337	387	448	504	562	618	675
66	355	413	475	537	599	661	721
72	373	434	503	568	636	701	767

Trapezoid and Octagon Shades 9/16" Single Cell Fire Retardant Light Filtering

24	30	36	42	48	54	60
368	414	470	522	578	629	682
395	445	508	571	629	690	752
421	480	547	616	682	750	813
447	512	587	661	735	806	878
472	542	627	706	787	865	945
497	578	665	752	839	925	1009
522	608	704	795	890	981	1074

Trapezoid and Octagon Shades 9/16" Single Cell Blackout

Width							
Height	24	30	36	42	48	54	60
36	342	385	437	485	537	584	633
42	367	413	472	530	584	641	698
48	391	446	508	572	633	697	755
54	415	476	545	614	683	749	815
60	438	503	582	655	731	803	878
66	462	537	618	698	779	859	937
72	485	564	654	738	827	911	997

Trapezoid and Octagon Shades 9/16" Single Cell Fire Retardant Blackout

24	30	36	42	48	54	60
479	539	612	679	752	817	886
513	579	661	743	817	897	977
548	624	712	801	886	976	1057
581	666	763	859	956	1048	1141
613	704	815	917	1023	1125	1229
646	752	865	977	1090	1203	1312
679	790	915	1034	1158	1276	1396

Trapezoid and Octagon Shades 7/16" Double Cell Light Filtering

Width							
Height	24	30	36	42	48	54	60
36	316	355	403	448	496	539	584
42	338	382	436	490	539	592	644
48	361	412	469	528	584	643	697
54	383	439	503	566	630	691	752
60	404	464	538	605	674	742	810
66	426	496	570	644	719	793	865
72	448	521	604	682	763	841	920

Trapezoid and Octagon Shades 9/16" Single Cell Sheer

24	30	36	42	48	54	60
410	462	523	581	643	699	759
439	495	566	635	699	768	837
469	535	609	685	759	835	904
497	570	653	735	818	897	977
525	603	698	785	876	963	1051
553	643	740	837	933	1030	1124
581	676	783	885	991	1092	1195

Cellular Shade Specialties Continued

Trapezoid and Octagon Shade 9/16" Single Cell Crush / Slub Woven

Width Height	24	30	36	42	48	54	60
36	460	518	587	652	722	785	852
42	493	556	635	713	785	862	939
48	526	600	684	769	852	937	1015
54	558	640	733	825	918	1007	1096
60	589	677	783	881	983	1081	1180
66	621	722	831	939	1047	1156	1261
72	652	759	879	993	1112	1226	1341

Trapezoid and Octagon Shades 3/4" Single Cell Smooth Light Filtering

Width Height	24	30	36	42	48	54	60
36	231	260	296	328	363	395	429
42	248	280	319	359	395	434	473
48	265	302	344	387	429	472	511
54	281	322	369	415	462	507	552
60	297	341	394	444	495	544	594
66	312	363	418	473	527	582	634
72	328	382	443	500	560	617	675

Trapezoid and Octagon Shades 3/4" Single Cell Smooth Blackout

Width Height	24	30	36	42	48	54	60
36	315	354	402	446	494	537	582
42	337	380	434	488	537	590	642
48	360	410	468	526	582	641	695
54	382	438	501	565	628	689	750
60	403	463	536	603	672	739	807
66	425	494	568	642	716	791	862
72	446	519	602	679	761	838	917

Trapezoid and Octagon Shades 9/16" Single Cell Linen Light Filtering

Width Height	24	30	36	42	48	54	60
36	231	260	296	328	363	395	429
42	248	280	319	359	395	434	473
48	265	302	344	387	429	472	511
54	281	322	369	415	462	507	552
60	297	341	394	444	495	544	594
66	312	363	418	473	527	582	634
72	328	382	443	500	560	617	675

Stock Cordless Cellular Shades

Manufacturer's Suggested Retail Price

Single Cell Light Filtering			
48-INCH DROP		72-INCH DROP	
WIDTH	PRICE EACH	WIDTH	PRICE EACH
30"	\$50	30"	\$57
38"	\$61	38"	\$68
54"	\$80	54"	\$89
72"	\$111	72"	\$122

Single Cell Room Darkening			
48-INCH DROP		72-INCH DROP	
LABEL WIDTH	PRICE EACH	WIDTH	PRICE EACH
30"	\$74	30"	\$82
38"	\$92	38"	\$104
54"	\$123	54"	\$140
72"	\$166	72"	\$191

FEATURE:

- Available in 8 fabrics (both light filtering and blackout)

- | | |
|--|--|
| <ul style="list-style-type: none"> o 9/16" Single LF Cell Cotton (1G001) o 9/16" Single LF Cell Winter White (1G070) o 9/16" Single LF Cell Fawn (1G006) o 9/16" Single LF Cell Antique Pewter (1G346) o 9/16" Single LF Cell Anthracite (1G030)
 o 9/16" Single BO Cell Cotton (2G001) o 9/16" Single BO Cell Winter White (2G070) o 9/16" Single BO Cell Fawn (2G006) o 9/16" Single BO Cell Antique Pewter (2G346) o 9/16" Single BO Cell Anthracite (2G030) | <ul style="list-style-type: none"> o 9/16" Single LF Cell White Dove (1G069) o 9/16" Single LF Cell Gray Sheen (1G021) o 9/16" Single LF Cell Misty Gray (1G514) o 9/16" Single LF Cell warm cocoa (1G492) o 9/16" Single LF Cell Sticks & Stones (1G519)
 o 9/16" Single BO Cell White Dove (2G069) o 9/16" Single BO Cell Gray Sheen (2G021) o 9/16" Single BO Cell Misty Gray (2G514) o 9/16" Single BO Cell warm cocoa (2G492) o 9/16" Single BO Cell Sticks & Stones (2G519) |
|--|--|

- State-of-the-Art Vinyl Head/Bottom Rail System
- Easy to Install Hidden Brackets
- Label width is actual dimension of the shade, no deduction
- 100% Polyester Spun Lace Non-woven Fabric
- 6Pcs / master case

SURCHARGE: (Net surcharge, no discount)

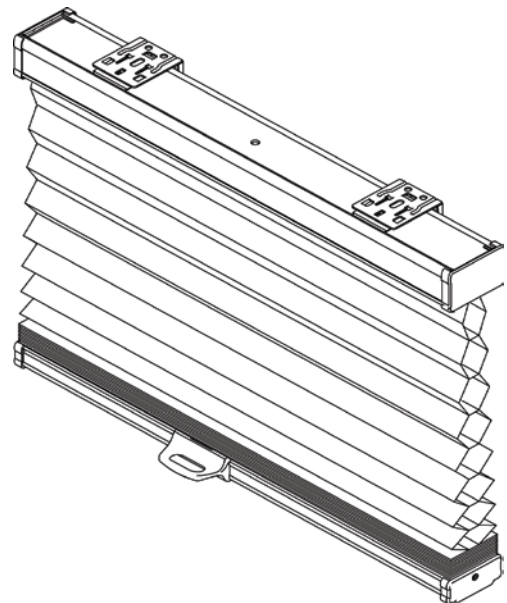
- Cut Width : (Cut down width has 1/4" deduction for IB). \$ 3/PC
- Will Not Shorten Height

TRIM ALLOWANCES

- Width : 30"
- Width : 38"
- Width : 54"
- Width : 72"

MAXIMUM CUT

- Total 12": 6" from each side
- Total 8": 4" from each side
- Total 16": 8" from each side
- Total 18": 9" from each side



How to Measure

Measure each window individually as sizes may vary. Measure width first, then height (length) to the nearest 1/8". Measure width from left to right, height from top to bottom using a metal tape measure. **PLEASE DO NOT USE A CLOTH TAPE!**

Inside Mount:

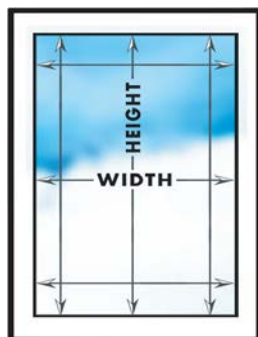
Inside mount shades are installed inside the window frame.

1. Measure the exact inside width of the window frame from one inside edge to the other. Take three measurements: one near the top, one in the center and one near the bottom. Record the narrowest measurement.
2. Measure the exact height in three places: left, center and right from top edge of opening to top of sill. Record the longest measurement for horizontal blinds.
3. Do not take deductions on inside mount measurements. The factory will take an 3/8" allowances for operating clearance.
4. Measure the window diagonally in two places as shown. If the two diagonal measurements are not the same, we suggest an outside mount application for the best shade performance and appearance.

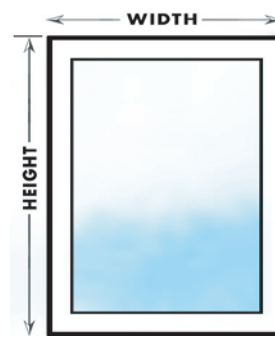
Outside Mount:

Outside mount shades are installed outside the window frame, covering an area larger than the window itself.

1. Measure the exact width of area to be covered. Be certain the measurement overlaps the window opening by at least 1 1/2" on each side to ensure privacy and light control.
2. Measure exact height to be covered, including desired overlap (usually from top edge of molding to bottom edge, or to top of sill). If there is no sill, measure to where the blind is to reach.
3. The factory does not make deductions for an outside mount.



Inside Mount (IB)



Outside Mount (O)

For questions or other product inquiry, please contact HT customer service.

770 South Epperson Drive City of Industry, CA 91748

Phone: (626) 839-8866 / (800) 879-9512

Fax: (626) 839-8861

HASSLE FREE MANUFACTURER WARRANTY

What is covered by warranty:

- Warranty is offered to the original owner.
- Warranty applies only to products properly installed in the window for which they were intended, following HT window fashions™ (HT) installation instruction and recommendation.
- Warranty covers products made and assembled solely with HT original material.
- Warranty will repair or replace the product solely at HT's option due to defective material or poor workmanship.
- This warranty gives you specific legal rights and you may also have other rights, which vary from state to state.

What is not covered by warranty:

- This warranty does not apply to any HT products damaged by accident, misuse, abuse, direct exposure to salty air or improper moisture, discoloration due to sunlight, undue exposure or irregular temperature.
- This warranty does not apply to conditions caused by normal wear and tear upon the product. It does not apply to any product damaged by fire, flood, wind, rain, lightening or other act of God.
- In no event shall HT be liable for incidental or consequential damage, loss, cost, expense or fee.
- Warranty does not apply to liquidated or discontinued items.
- Warranty does not include shipping charges.

How to obtain warranty service:

Please contact address and phone # below with the following information:

- 770 South Epperson Drive
City of Industry, CA 91748
(800)-879-9512
- Original sales receipt
- Model and identification numbers
- Detail description of defect

Product	Aluminum Blinds	Cellular Shade	Fabric Shades
Warranty	Limited lifetime 3 years on cord and cord lock	Limited Lifetime 3 years on fabric, cord and cord lock	Limited Lifetime 3 years on fabric, cord and cord lock



Thank you for your business.



TO: Our HT Professionals - Contractor Quotes.

HT Window Fashions™ is your one stop destination for all your contract needs. We specialize in aluminum blinds and cellular shades. We will configure the program and quote to fit your budget, time and special needs.

We offer:

- Quick Ship - customized or custom fabrication – shipped in 7-10 business days or less*
- Cross Dock - overseas production – 75 days*
 - Direct Import pricing on full and partial container quantities
- Direct Import Program : 75 days*

**lead times are confirmed based on order size, special needs and production schedule.*

It is as easy as 1-2-3

1. Call our Quote Specialist at:
 - 800-879-9512 or
 - Fax your request to 626-839-8861. Attention: Sales Quote
2. Within 24 hours, we will confirm your quote & fax back a copy for your reference. Our quote specialist will work with you on special needs such as: products, packaging and pricing during your bidding process.
3. When you receive your customer's confirmation, fax the quote confirmation to our quote specialist and we will convert the quote to an order.

Terms:

- Minimum Quantity Requirement for Contractor Quotes: 15 pieces or more
- All contract quotes are guaranteed for 90 days.
- When and if necessary - quotes older than 90 days are subject to a 0.5% price adjustment per month, subject to material price increases.
- Deposit may be required.

CONTRACT DEPARTMENT PHONE#: 800-879-9512; FAX#: 626-839-8861



770 S. Epperson Dr.
 City of Industry, CA 91748
 (626) 839-8866 (800) 879-9512
 (626) 839-8861 Fax
WWW.HTWFONLINE.COM

New Customer Application

Legal Entity:

- Sole Proprietor
- Corporation
- Partnership
- Limit Liabilities Company (L.L.C.)
- Other _____

Business Operated From:

- Retail Store Front
- In-Home Business
- Industrial Center

FOR OFFICE USE ONLY

Acct #:
Terr #:
Approval:

Estimated Monthly Purchases: \$ _____ # Locations: _____ # Employees: _____

General Information

Legal Name _____	Phone _____
Trade Name (DBA) _____	Fax _____
Address _____	Cell _____
City, State, Zip _____	E-Mail _____
Years in Business _____	Fed.ID _____

Personal Information of President, Owner, CEO, Partners

Name & Title _____	Name & Title _____
Home Address _____	Home Address _____
City, State, Zip _____	City, State, Zip _____
Home Phone _____	Home Phone _____
Social Security _____	Social Security _____

Bank References

Name _____	Name _____
Address _____	Address _____
City, State, Zip _____	City, State, Zip _____
Account No. _____	Account No. _____
Phone _____	Phone _____
Fax _____	Fax _____

The undersigned hereby authorize HT Window Fashions to review any information provided for the purpose of establishing credit. It is agreed that the undersigned will hold harmless the companies engaging in the exchange of such information and understands that the information provided is used for credit worthiness as a routine business practice. I also authorize release of my credit information to a credit service agency for the purpose of establishing an account with HT Window Fashions Corp.

Authorized Signature	Company Name
Print Name	Date

IMPORTANT! Application Cannot Be Processed Without Customer Signature

Trade References

Name	
Address	
City, State, Zip	
Account No.	
Phone	
Fax	

Name	
Address	
City, State, Zip	
Account No.	
Phone	
Fax	

Name	
Address	
City, State, Zip	
Account No.	
Phone	
Fax	

Name	
Address	
City, State, Zip	
Account No.	
Phone	
Fax	

Financial Information

Assets	
Cash	\$ _____
Receivables	\$ _____
Inventory	\$ _____
Fixed Assets	\$ _____
Land	\$ _____
Other Assets	\$ _____
Total Assets	\$ _____

Liabilities	
Accounts Payable	\$ _____
Short Term Notes	\$ _____
Long Term Notes	\$ _____
Mortgages	\$ _____
Other Liabilities	\$ _____
Other Liabilities	\$ _____
Total Liabilities	\$ _____

Requested Terms

- | | |
|---|--|
| <input type="checkbox"/> NET 30 Day Terms | <input type="checkbox"/> Certified Funds |
| <input type="checkbox"/> Company Check | <input type="checkbox"/> Credit Card |

Note: First orders may require prepayment until credit is established.

By: _____ (Print Name) _____ Date

Authorized Signature

Personal Guarantee

The undersigned, in consideration of you extending credit at my request to _____ (hereinafter referred to at the "Company") hereby personally guarantee to you payment of any obligation of the Company and I hereby bind myself to pay you on demand any sum which may become due to you by the company whenever the Company shall fail to pay the same. It is understood that this guaranty shall be a continuing and irrevocable guarantee and identity for such indebtedness of the company. I do hereby waive notice of default, non-payment and extension of credit. The undersigned guarantor agrees to pay, in the event the amount becomes delinquent and is turned over to any attorney for collection, attorney's fee and all attendant collection costs. It is understood that this guaranty may be enforced without first having to sue the corporation of business which has incurred the debt. For purposes of the guaranty it is agreed that I will be responsible for the corporate or business debt even though my name does not appear on the invoices or billings.

By: _____ (Print Name) _____ Date

Authorized Signature

Purchase Agreement

TERMS	Due and payable in full within established time from date of invoice unless otherwise agreed upon in writing.
LATE PAYMENT	Past due amounts are subject to late payment service charges of 1.5% per month, HT reserves the rights to hold customer orders, switch payment terms, submit delinquent account history and information to industry credit agencies, and pursue legal actions.
NSF CHECKS	A service charge of \$30 will be applied to each returned check.
RETURNS	No returned goods will be accepted without authorization and freight charges must be prepaid by customer. HT does not accept returns other than stock blinds. HT only accepts stock blinds returns when all the following conditions are present: Merchandise (s) with un-opened boxes and not cut downs; HT must receive the return merchandise (s) within 14 days from the invoice date. Note: All returns are subject to a 20% restocking fee.
FREIGHT DAMAGE CLAIMS	Customer assumes full responsibility of all goods when goods are received and signed for by Customer or Agent (including any obvious or hidden freight damage if Supplier is not notified within 48 hours).
TITLE	Title to any and all goods or materials hereafter purchased shall remain with Supplier until the full purchase price has been paid.
FAILURE TO PAY OR INSOLVENCY	Failure by customer to pay any part of the purchase price when due, or in the event that proceedings in bankruptcy, receivership, or insolvency are instituted by or against Customer or his property, supplier may, at its option, cause the entire unpaid balance to become due and immediately payable, and supplier shall have the right to enter at anytime without notice upon the premises where any of the materials purchased by Customer are located. Customer hereby expressly waives any right to action which may occur by reason on the entry for taking possession of or the selling of said materials and agrees to pay all costs incurred with respect thereto including service charges, all 3rd party collection fees, finance charges, reasonable attorney's fees and court costs.
ENTIRE AGREEMENT	This Agreement covers all materials which Customer may hereafter acquire at any time from Supplier. This contract constitutes the entire Agreement with Supplier. No waivers or modifications shall be valid unless the same are in writing and executed by both parties hereto. This contract shall apply and accrue to the benefit of, and be binding upon, the heirs, executors, administrators, successors, and assigns of the respective parties. This Agreement applies to all invoices involving labor, product or services rendered by HT window fashions™ Corp.
LITIGATION	In the event of any litigation arising out of this agreement, Supplier shall be entitled to its reasonable costs and expenses incurred including attorney's fees.
STATE LAWS	This Purchase Agreement shall be governed by the laws of the States of California and/or Georgia.
RECEIPT OF A COPY	Customer hereby acknowledges the receipt of a copy of this Agreement at the time of its execution.
By:	_____ Company Name: _____ (signature)
Position:	_____ Date Accepted: _____

Resale Certificate

Please complete and return form with a copy of your original seller's permit. **All accounts without completed forms will be charged sales tax.**

Name of Purchaser

Address

Address

City, State, Zip

I hereby certify that: I hold valid sellers permit No. _____ issued pursuant to the Sales and Use Tax Law; that I am engaged in the business of selling _____; That the tangible personal property described herein which I shall purchase from HT window fashions™ will be resold by me in the form of tangible personal property provided, however, that in the event of any such property is used for any purpose other than retention, demonstration, or display while holding it for such sale in the regular course of business, it is understood that I am required by Sales and Use Tax Law to report and pay tax, measured by the purchase price of such property.

Description of property to be purchased; _____

By: _____ Print Name: _____
(signature of purchaser or agent)

As: _____ Date Accepted: _____
(position/title)

Phone Number: _____



Thank you for giving us the opportunity to service your wholesale custom window covering needs. We know you have many choices when it comes to selecting a fabrication source and we will do our best to provide the highest level of quality products and services at the industry's most competitive wholesale prices. We appreciate you taking the time to complete our Customer Application Form in its entirety and we look forward to manufacturing your custom orders.

HT window fashions™ Management

Thank You

WWW.HTWFONLINE.COM



Sample Order Form

Ship To:		Request Date: _____
_____		Account #: _____
_____		Customer Name: _____
_____		Contact: _____
APPROVED BY _____		REQUEST ARRIVAL DATE: _____

Samples

LINE ITEM	QTY.	PRODUCT	AMOUNT	TOTAL
Aluminum Blinds				
MINI-CD		Mini 1" & 1/2" mini blind deck with HT Logo Cover	\$5.00	
MINI-CDX		Mini 1" blind deck without Cover	\$5.00	
MINI-CDC		Mini 1" color deck - commerical colors	\$1.00	
ALUM-CD		2" aluminum horizontal blinds sample deck	\$3.00	
MINI-SB		1" Aluminum hand sample white 16x24	\$10.00	
MINI-SBCL		1" Aluminum cordless hand sample white 24x36"	\$20.00	
MINI-SB15		1" Premium aluminum mini blind hand sample 16"x24" White	\$12.00	
MINI-SBRV		1" RV blinds 16x24	\$15.00	
MINI-SBPT		1" Aluminum mini power touch 36x36"	\$82.00	
MICRO-SB		Micro mini blind hand sample 16x24 white	\$15.00	
ALUM-SW		2" Aluminum blind hand sample 12x24" white with tape	\$20.00	
Cellular Shade				
POLARIS-BK		Cellular sample book classic	\$75.00	
POLAR-SB4		Cellular hand sample custom top down bottom up 18x36"	\$25.00	
POLAR-SB2		Cellular clutch hand sample 18x24"	\$25.00	
POLAR-SB3		Cellular custom cordless hand sample 18"x36"	\$30.00	
POLAR-SBTU		Cellular custom cordless top down bottom up 19x36"	\$45.00	
POLAR-SBCL		Cellular custom cordless plus 21x36"	\$32.00	
POLAR-SBSK		Cellular custom skylight 18"x24"	\$30.00	
PLOAR-SBMT		Cellular custom motorized shade 24x36" with one chanel remote	\$225.00	
POLAR-SBPT		Cellular custom Simple Touch™ 36x36"	\$95.00	
POLARIS-SC		Cellular stock cordless swatch card	\$7.75	
2301-4824		Cellular Stock cordless sample shade 24x48 Cotton Light Filtering	\$25.00	
Cellular Shade Fabric				
POLAR-BK		Cellular fabric sample book distribution	\$75.00	
POLAR-SF02		Cellular fabric sample folder for HT fabrication	\$12.00	
POLAR-SF03		Cellular fabric sample folder for distribution	\$15.00	
POLAR-SF04		Cellular fabric sample folder for colors for distribution	\$20.00	
POLAR-SF01		Cellular fabric sample folder for point bond- 20 point bond fabrics	\$15.00	
POLAR-SC07		Cellular fabric sample cards - fire retardant fabrics (2 cards per set)	\$7.00	
POLAR-SC01		Cellular fabric sample card sheer	\$4.00	
POLAR-SC03		Cellular fabric sample card silk	\$4.00	
POLAR-SC02		Cellular fabric sample card crush	\$5.00	
POLAR-SC06		Cellular fabric sample card woven	\$5.00	
POLAR-SC08		Cellular fabric sample card slub woven	\$6.00	
New-View Fabric Shades				
NEWV-BK		Fabric shade sample book	\$50.00	
NEWV-SBP		Fabric shade hand sample corded 24x36 Pongee	\$45.00	
		Sub Total		\$0.00
Custom Samples				

NOTES:

POLARIS® CELLULAR SHADES ORDER FORM (STOCK AND CUSTOM)



770 S Epperson Dr City
of Industry, CA 91748
TEL (800) 879-9512
FAX (626) 839-8861

CUSTOMER ID: _____

CUSTOMER NAME: _____

ORDERED BY: _____

P/O: _____

SIDE MARK: _____

SHIP TO: _____

DATE: _____

QUOTE ID: _____

PHONE: _____

FAX: _____

EMAIL: _____

CHECK WHICH FABRIC YOU ARE ORDERING.

- | | | |
|---|--|--|
| <input type="checkbox"/> 9/16" Single Cell Light Filtering Spun Lace (PLS310) | <input type="checkbox"/> 9/16" Single Cell Blackout Spun Lace (PLS320) | <input type="checkbox"/> 3/4" Single Cell Light Filtering Smooth (PLS43C0) |
| <input type="checkbox"/> 9/16" Single Cell Crush (PLS310CR) | <input type="checkbox"/> 9/16" Single Cell Sheer (PLS360) | <input type="checkbox"/> 3/4" Single Cell Blackout Smooth(PLS44C0) |
| <input type="checkbox"/> 7/16" Double Cell Light Filtering Spun Lace (PLX3A0) | <input type="checkbox"/> 9/16" Fire Retardant Fabrics | <input type="checkbox"/> 9/16" Single Cell Light Filtering Linen Point bond (PLS331) |
| <input type="checkbox"/> 9/16" Single Cell Light Slub Woven (PLX37S) | <input type="checkbox"/> Stock Cordless Cellular Shades | <input type="checkbox"/> Stock Cordless TDBU Cellular Shades |

OPTIONS

1	FABRIC TYPE	COLOR NAME	COLOR NUMBER	ROOM	QNTY	BLIND SIZE (INCHES)		Shade type (Circle One)										Mount	Lift	Hold Down	Ext. Bracket	SPECIAL INSTRUCTIONS 2-on-1, Day/Night Extended Cord, Spacer etc
						WIDTH	HEIGHT	Regular	Top down bottom up corded	clutch	cordless	Top down bottom up cordless	Cordless Plus	Simple Touch™	Skylight	Specialty						
2									Regular	Top down bottom up corded	clutch	cordless	Top down bottom up cordless	Cordless Plus	Simple Touch™	Skylight	Specialty	IB	Left	yes	yes	
																		OB	Right	no	no	
3									Regular	Top down bottom up corded	clutch	cordless	Top down bottom up cordless	Cordless Plus	Simple Touch™	Skylight	Specialty	IB	Left	yes	yes	
																		OB	Right	no	no	
4									Regular	Top down bottom up corded	clutch	cordless	Top down bottom up cordless	Cordless Plus	Simple Touch™	Skylight	Specialty	IB	Left	yes	yes	
																		OB	Right	no	no	
5									Regular	Top down bottom up corded	clutch	cordless	Top down bottom up cordless	Cordless Plus	Simple Touch™	Skylight	Specialty	IB	Left	yes	yes	
																		OB	Right	no	no	
6									Regular	Top down bottom up corded	clutch	cordless	Top down bottom up cordless	Cordless Plus	Simple Touch™	Skylight	Specialty	IB	Left	yes	yes	
																		OB	Right	no	no	

Page _____ of _____

Total

***NOTES: - Custom Cellular Shade IB Deduction is 1/4".**
- Finished size MUST be provided for Skylight

POLARIS® CELLULAR SHADES ORDER FORM (STOCK AND CUSTOM)

03/01/2016